



www.tavancharkhesh.com



GUANGLU
FLNDR

GM/TM

SERIES MOTOR



شرکت نوشاد (طباطبایی)

تهران خیابان سعدی جنوبی پاساژ سلامت کوچه ترابی گودرزی پلاک ۷ و ۳۷

تلفن: ۰۲۱-۳۳۹۳۳۴۵۳ / ۰۲۱-۳۳۹۳۴۵۵۹

تلفن همراه: ۰۹۱۲-۱۳۴۰۲۱۱ / ۰۹۱۲-۶۸۸۱۵۷۷

شرکت توان چرخش سعدی (طباطبایی)

تهران خیابان سعدی جنوبی مجتمع تجاری و اداری سعدی طبقه ۳ واحد ۳۰۸

تلفن: ۰۲۱-۹۱۰۰۱۷۰۸ / ۰۲۱-۳۳۹۹۴۷۱۴ / ۰۲۱-۳۳۹۹۴۷۱۵

تلفن همراه: ۰۹۳۵-۱۴۸۱۶۸۳

انبار

باقر آباد بهشت زهرا، جاده قمصر، شهرک دهنو، انبار شرکا (طباطبایی)

تلفن: ۵۶۵۲۸۱۴۰



GUANGLU



GUANGLU, step by step in the highest flight





BRIEF INTRODUCTION

Located in ShanShi Industrial park of Taizhou City, — border on the picturesque scenery East China Sea, China · GuangLu Electrical Co., Ltd. Enjoys convenient transportation by water, land and air. The company occupies 25 thousand square meters and owns advanced producing equipments, it is a company specialized in electrical machinery manufacturing with all kinds of classifications, it is a member of Small and Medium-Sized Enterprises Electrical motor factory in the whole nation, it is a cooperated company with ShangHai Testing & Inspection Institute .

Our company was established in 80's, it was listed in the important industry member of key enterprise factory in WenLing, it is in the front of fifth strongest factory in DaXi. Furthermore, the company own excellent staff and a powerful scientific and technical system, advanced mode of production, hi-efficiency production facilities, continually renew testing equipments and consummate modernized management system. All products are according to the International IEC standard, it has arrived to the advanced level in the international same area. It has passed ISO9001:2000 International Quality Conformity, and got CCC 、CECP、CE Certificate, it is one of the biggest exported company in the Small and Medium Size in the Electrical area. In 2009,it was award "National Hi-Tech enterprise", YX3 series -high efficiency electrical motor has listed in the Energy Conservation Project.

Guanglu company specially produce IE2 series,Gost standard motor ,YX3 high efficiency motor, GM removeable single phase aluminium body motor,Y3,YZR3 series ,brake motor, double speed motor, vibrator motor, single phase series, Vibrators, high frequency vibrator stick, cutter, grinder ,etc. Guanglu products were saled to all over the world ,such as Europea, Middle east and our neighbors, the products are welcomed by customers and with favorable comments. In order to manufacture high quality products, Guanglu company introduced high efficiency production lines and increased new machining centers, such as lathe, automatic high speed stamping system, microcomputer test center, Coordinate Measurement System, control strictly from material select, machining ,manufacture, assembly to test, make the control system computerized and automated.

Guanglu make Science and technology as foremost, people oriented , improve quality constantly, most of products are superfine and high quality, are saled with good reputation in domestic and overseas market.

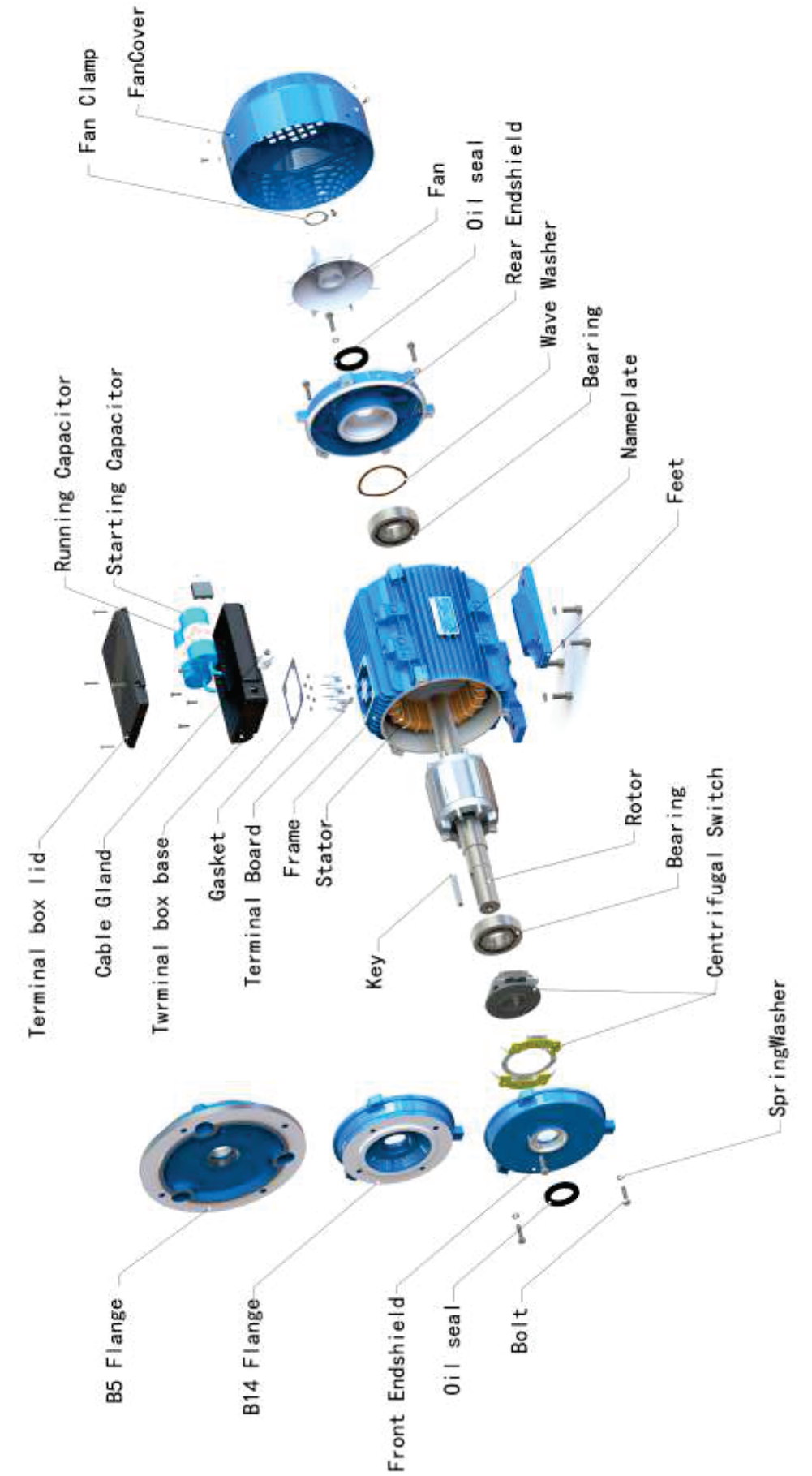
Guanglu company pursuing improvement spirit, advancing innovate independently, speed up the adjustment for products' structure, develop high-tech products energetically, perfect the technology, operate in high efficiency, with positive attitude as enterprise's belief, and serve customers with satisfied and excellence products and loyal service as the company tenet.



To manufacture high quality products, GUANGLU introduced numbers of equipments, as machining center, microcomputer test center, ect. From material select, machining, manufacture, assembly to test, every procedure is strictly controlled. The quality control is computerized and automated.

GUANGLU MOTOR

LEADING TECHNOLOGY



TMYL

SINGLE-PHASE ASYNCHRONOUS MOTOR



TMYL SINGLE-PHASE ASYNCHRONOUS MOTOR

TMYL series capacitor asynchronous motors are single-phase the motors of capacitor start and run. Main features: mall size high capacity, strong starting torque, high power factor and efficiency, safety and reliability in running, simple construction and easy maintenance, it possess frame No. and capacity as three-phase asynchronous motors.

The rated frequency of the motors in 50Hz while the rated voltage is 220V.

This series motors are of totally enclosed fan-cooled structure, class B insulation, IP54 degree of protection and IC411 method of cooling. The mounting dimensions of the motors are all in conformity with IEC standards. Mounting types: IM B3 IM B5 IM B35 IM B14 IM V1 IM V3 IM V5 IM V6 IM V18 IM V19 IM V36.

GMYL series motors are suitable for machines and equipments such as full load start.

TECHNICAL DATA OF TMYL SERIES IE2

Frame reference and size	Rated power	Full load speed in revolutions per minute	Full load current at rated voltage	Exciter Voltage	Efficiency	Power factor	Direct on line starting torque ratio	Direct on line pull out torque ratio	Direct on line starting current ratio	Mean sound pressure level@1m on no load	Start Capacitor	Running Capacitor	Weight
Type	Output (KW)	Speed (r/min)	Amps (A)	Voltage (V)	EFF. (%)	P.F. CosΦ	LRT/RLT	BDT/RLT	LRA/RLA	Noise LwdB(A)	(μf/v)	(μf/v)	Weight (kg)
TMYL711-2	0.37	2770	2.6	220	69.5	0.92	1.8	1.6	5.5	72	50/250	8/450	6.6
TMYL712-2	0.55	2785	3.7	220	74.1	0.92	1.8	1.6	5.5	72	100/250	15/450	7.5
TMYL711-4	0.25	1335	1.8	220	68.5	0.92	1.7	1.6	5.0	67	75/250	15/450	6.5
TMYL712-4	0.37	1340	2.5	220	72.7	0.92	1.7	1.6	5.0	67	75/250	15/450	8
TMYL801-2	0.75	2830	4.6	220	77.4	0.95	1.8	1.6	5.5	75	100/250	25/450	11.5
TMYL802-2	1.1	2835	6.6	220	79.6	0.95	1.8	1.6	5.5	75	100/250	30/450	12
TMYL801-4	0.55	1395	3.5	220	78	0.92	1.7	1.6	5.0	70	100/250	15/450	11
TMYL802-4	0.75	1405	4.5	220	79.6	0.95	1.7	1.6	5.0	70	100/250	25/450	11.5
TMYL90L1-2	1.5	2830	8.8	220	81.3	0.95	1.8	1.6	5.5	78	200/250	40/450	16
TMYL90L2-2	2.2	2840	12.7	220	83.2	0.95	1.7	1.6	5.5	78	300/250	50/450	18.5
TMYL90L1-4	1.1	1410	6.5	220	81.4	0.95	1.7	1.6	5.0	73	150/250	30/450	15
TMYL90L2-4	1.5	1420	8.7	220	82.8	0.95	1.7	1.6	5.0	73	200/250	40/450	17.5
TMYL100L-2	3	2860	17	222	84.6	0.95	1.7	1.6	6.0	83	350/250	55/450	24
TMYL100L1-4	2.2	1430	12.5	220	84.3	0.95	1.7	1.6	5.0	78	300/250	50/450	23
TMYL100L2-4	3	1440	16.8	220	85.5	0.95	1.7	1.6	5.0	78	350/250	55/450	29
TMYL112M-2	3.7	2890	20.6	220	85.8	0.95	1.7	1.6	6.0	83	350/250	60/450	39
TMYL-112M-4	3.7	1440	20.4	220	86.6	0.95	1.7	1.6	5.5	83	350/250	60/450	33.5
TMYL-132M-2	5.5	2910	30.2	220	87	0.95	1.7	1.6	6.0	88	450/250	70/450	53
TMYL132M2-2	7.5	2910	39.9	220	88.1	0.97	1.7	1.6	6.5	88	650/250	70/450	55
TMYL132M-4	5.5	1450	30	220	87.7	0.95	1.7	1.6	5.5	83	450/250	70/450	57
TMYL132M2-4	7.5	1450	39.6	220	88.7	0.97	1.7	1.6	6.0	83	650/250	70/450	59

TMYC

SINGLE-PHASE ASYNCHRONOUS MOTOR



TMYC SINGLE-PHASE ASYNCHRONOUS MOTOR

Single-phase capacitor-start asynchronous motor. Series GMYC, is totally enclosed fan-cooled type. The starting torque of motors is 2-3 times as rated torque. The motors give excellent performance such as low in noise, low in temperature-rise, high in overloading capacity and convenience in maintenance. It may widely application in all types of small machine tools compression pumps refrigerators and the equipment which need bigger starting torque, etc.

They are wonderful utilities for family workshop where only single-phase power are available. This series motors adopts class B insulation, IP54 degree of protection and IC0141 method of cooling. The rated frequency of the motor is 50Hz while the rating voltage is 220V.

The mounting dimensions of the motors are all in conformity with IEC standard. Mounting

Types: IM B3, IM B5, IM B35, IM B14, IM B34, IM V1, IM V3, IM V5, IM V6, IM V18, IM V19, IM V36. Working conditions: Altitude above sea level not over 1000m, Altitude temperature not over 40°C.

TECHNICAL DATA OF TMYL SERIES IE2

Frame reference and size	Rated power	Full load speed in revolutions per minute	Full load current at rated voltage	Exciter Voltage	Efficiency	Power factor	Direct on line starting torque ratio	Direct on line pull out torque ratio	Locked rotor torque	Meansound pressure level@1mon no load	Start Capacitor	Running Capacitor	Weight
Type	Output (KW)	Speed (r/min)	Amps (A)	Voltage (V)	EFF. (%)	P.F. Cosφ	LRT / RLT	BDT / RLT	LRA	Noise LwdB(A)	(μf/v)	(μf/v)	Weight (kg)
TMYC711-2	0.18	2755	1.8	220	63.8	0.72	3	1.8	12	70	70	75/250	8
TMYC712-2	0.25	2775	2.3	220	67.7	0.74	3	1.8	15	70	70	75/250	9
TMYC711-4	0.12	1355	1.7	220	54.1	0.58	3	1.8	9	65	65	75/250	8
TMYC712-4	0.18	1375	2.3	220	57	0.62	2.8	1.8	12	65	65	75/250	9
TMYC801-2	0.37	2810	3.2	220	68.6	0.77	2.8	1.8	21	75	75	100/250	12
TMYC802-2	0.55	2815	4.4	220	71.4	0.79	2.8	1.8	29	75	75	150/250	13
TMYC801-4	0.25	1405	2.9	220	61.9	0.63	2.8	1.8	15	65	65	100/250	11.5
TMYC802-4	0.37	1420	4.0	220	65.7	0.64	2.5	1.8	21	70	70	100/250	12
TMYC90L1-2	0.75	2830	5.8	220	73.3	0.80	2.5	1.8	37	75	75	200/250	14
TMYC90L2-2	1.1	2840	8.3	220	75.2	0.80	2.5	1.8	60	78	78	250/250	18
TMYC90L1-4	0.55	1420	5.2	220	69.5	0.69	2.5	1.8	29	70	70	150/250	16
TMYC90L2-4	0.75	1430	6.5	220	71.4	0.73	2.5	1.8	37	70	70	150/250	17.5
TMYC100L1-2	1.5	2840	10.9	220	77	0.81	2.5	1.8	80	83	83	250/250	20.5
TMYC100L2-2	2.2	2850	15.8	220	77.9	0.81	2.2	1.8	120	83	83	300/250	24
TMYC100L1-4	1.1	1430	9.1	220	74.2	0.74	2.5	1.8	60	73	73	200/250	26
TMYC100L2-4	1.5	1440	11.9	220	76.1	0.75	2.5	1.8	80	78	78	300/250	27
TMYC112M-2	3	2860	21.1	220	78.8	0.82	2.2	1.8	150	87	87	350/250	40
TMYC112M-4	2.2	1450	17.1	220	77	0.76	2.2	1.8	120	78	78	600/250	34.5
TMYC132M-2	3.7	2880	25.7	220	79.8	0.82	2.2	1.8	175	87	87	600/250	55
TMYC132M2-2	5.5	2890	34.6	220	87	0.83	2.2	1.8	250	87	87	600/250	56.5
TMYC132M-4	3	1450	22.7	220	77.9	0.77	2.2	1.8	150	82	82	600/250	52
TMYC132M2-4	3.7	1460	27	220	78.8	0.79	2.2	1.8	175	82	82	600/250	58.5
TMYC132M3-4	5.5	1460	35.6	220	87.7	0.80	2.2	1.8	250	82	82	600/250	59

TMY Y

SINGLE-PHASE ASYNCHRONOUS MOTOR

TMY Y SINGLE-PHASE ASYNCHRONOUS MOTOR

TMY Y series run capacitor asynchronous motor, is produced according IEC standard, with many feature as simply structure, steady running , advanced technical indicators and easily maintenance. Fitting for household appliances , air compressor, pump, blower ,recorder instrument etc.

GMY Y series motor is TEFC (totally enclosed fan cooling), IP 55, INS . CL.F.Terminal box at top.



TECHNICAL DATA OF TMY L SERIES IE2

Frame reference and size	Rated power	Full load speed in revolutions per minute	Full load current at rated voltage	Exciter Voltage	Efficiency	Power factor	Direct on line starting torque ratio	Direct on line pull out torque ratio	Locked rotor torque	Mean sound pressure level @1m on no load	Frequency at constant power	Weight
Type	Output (KW)	Speed (r/min)	Amps (A)	Voltage (V)	EFF. (%)	P.F. CosΦ	LRT/RLT	BDT/RLT	LRA	Noise LwdB(A)	Frequency	Weight (kg)
TMY Y63M1-2	0.18	2720	1.3	220	68.6	0.92	0.40	1.7	5	70	50	5.2
TMY Y63M2-2	0.25	2730	1.8	220	69.5	0.92	0.40	1.7	7	70	50	5.6
TMY Y63M1-4	0.12	1320	1	220	60.9	0.90	0.40	1.7	3.5	65	50	4.3
TMY Y63M2-4	0.18	1320	1.4	220	64.7	0.90	0.35	1.7	5	65	50	5.4
TMY Y71M1-2	0.37	2760	2.6	220	70.5	0.92	0.35	1.7	10	75	50	7.5
TMY Y72M2-2	0.55	2770	3.7	220	74.1	0.92	0.35	1.7	15	75	50	9.0
TMY Y71M1-4	0.25	1340	1.8	220	68.5	0.92	0.35	1.7	7	65	50	7.2
TMY Y71M2-4	0.37	1350	2.5	220	72.7	0.92	0.35	1.7	10	70	50	7.5
TMY Y80M1-2	0.75	2810	4.8	220	77.4	0.92	0.33	1.7	20	75	50	11.5
TMY Y80M2-2	1.1	2810	6.6	220	79.6	0.95	0.33	1.7	30	78	50	12.5
TMY Y80M1-4	0.55	1410	3.5	220	77.1	0.92	0.35	1.7	15	70	50	8.5
TMY Y80M2-4	0.75	1420	4.7	220	79.6	0.92	0.32	1.7	20	70	50	10.5
TMY Y90S-2	1.5	2830	8.8	220	81.3	0.95	0.30	1.7	45	83	50	20.5
TMY Y90L-2	2.2	2840	12.7	220	83.2	0.95	0.30	1.7	65	83	50	26
TMY Y90S-4	1.1	1430	6.5	220	81.4	0.95	0.32	1.7	30	73	50	15.5
TMY Y90L-4	1.5	1430	8.7	220	82.8	0.95	0.30	1.7	45	78	50	19.5

GMYL

SINGLE-PHASE ASYNCHRONOUS MOTOR



GMYL SINGLE-PHASE ASYNCHRONOUS MOTOR

GMYL series capacitor asynchronous motors are single-phase the motors of capacitor start and run. Main features: mall size high capacity, strong starting torque, high power factor and efficiency, safety and reliability in running, simple construction and easy maintenance, it possess frame No. and capacity as three-phase asynchronous motors.

The rated frequency of the motors in 50Hz while the rated voltage is 220V.

This series motors are of totally enclosed fan-cooled structure, class B insulation, IP54 degree of protection and IC411 method of cooling. The mounting dimensions of the motors are all in conformity with IEC standards. Mounting types: IM B3 IM B5 IM B35 IM B14 IM V1 IM V3 IM V5 IM V6 IM V18 IM V19 IM V36.

GMYL series motors are suitable for machines and equipments such as full load start.

TECHNICAL DATA OF GMYL SERIES

Frame reference and size	Rated power	Full load speed in revolutions per minute	Full load current at rated voltage	Exciter Voltage	Efficiency	Power factor	Direct on line starting torque ratio	Direct on line pull out torque ratio	Direct on line starting current ratio	Mean sound pressure level @1m on no load	Start Capacitor	Running Capacitor	Weight
Type	Output (KW)	Speed (r/min)	Amps (A)	Voltage (V)	EFF. (%)	P.F. Cosφ	LRT/RLT	BDT/RLT	LRA/RLA	Noise LwdB(A)	(μf/v)	(μf/v)	Weight (kg)
GMYL711-2	0.37	2800	2.7	220	67	0.92	1.8	1.6	5.5	72	50/250	8/450	10
GMYL712-2	0.55	2800	3.9	220	70	0.92	1.8	1.6	5.5	72	100/250	15/450	11
GMYL711-4	0.25	1400	2.0	220	62	0.92	1.7	1.6	5.0	67	75/250	15/450	9
GMYL712-4	0.37	1400	2.8	220	65	0.92	1.7	1.6	5.0	67	75/250	15/450	10
GMYL801-2	0.75	2800	4.9	220	73	0.95	1.8	1.6	5.5	75	100/250	25/450	14
GMYL802-2	1.1	2800	7.0	220	75	0.95	1.8	1.6	5.5	75	100/250	30/450	15
GMYL801-4	0.55	1400	3.95	220	69	0.92	1.7	1.6	5.0	70	100/250	15/450	13
GMYL802-4	0.75	1400	5.05	220	71	0.95	1.7	1.6	5.0	70	100/250	25/450	14
GMYL90L1-2	1.5	2800	9.4	220	76	0.95	1.8	1.6	5.5	78	200/250	40/450	22
GMYL90L-2	2.2	2800	13.7	220	77	0.95	1.7	1.6	5.5	78	300/250	50/450	24
GMYL90L1-4	1.1	1400	7.3	220	72	0.95	1.7	1.6	5.0	73	150/250	30/450	21
GMYL90L-4	1.5	1400	9.7	220	74	0.95	1.7	1.6	5.0	73	200/250	40/450	23
GMYL100L-2	3	2800	18.2	220	79	0.95	1.7	1.6	6.0	83	350/250	55/450	24
GMYL100L1-4	2.2	1400	13.9	220	76	0.95	1.7	1.6	5.0	78	300/250	50/450	32
GMYL100L2-4	3	1400	18.4	220	78	0.95	1.7	1.6	5.0	78	350/250	55/450	33
GMYL112M-2	3.7	2800	22.1	220	80	0.95	1.7	1.6	6.0	83	350/250	60/450	46
GMYL112M-4	3.7	1400	22.4	220	79	0.95	1.7	1.6	5.5	83	350/250	60/450	44

GMYC

SINGLE-PHASE ASYNCHRONOUS MOTOR



GMYC SINGLE-PHASE ASYNCHRONOUS MOTOR

Single-phase capacitor-start asynchronous motor. Series GMYC, is totally enclosed fan-cooled type. The starting torque of motors is 2-3 times as rated torque. The motors give excellent performance such as low in noise, low in temperature-rise, high in overloading capacity and convenience in maintenance. It may widely application in all types of small machine tools compression pumps refrigerators and the equipment which need bigger starting torque, etc.

They are wonderful utilities for family workshop where only single-phase power are available. This series motors adopts class B insulation, IP54 degree of protection and IC0141 method of cooling. The rated frequency of the motor is 50Hz while the rating voltage is 220V.

The mounting dimensions of the motors are all in conformity with IEC standards. Mounting

Types: IM B3, IM B5, IM B35, IM B14, IM B34, IM V1, IM V3, IM V5, IM V6, IM V18, IM V19, IM V36. Working conditions: Altitude above sea level not over 1000m, Altitude temperature not over 40°C.

TECHNICAL DATA OF GMYC SERIES

Frame reference and size	Rated power	Full load speed in revolutions per minute	Full load current at rated voltage	Exciter Voltage	Efficiency	Power factor	Direct on line starting torque ratio	Direct on line pull out torque ratio	Locked rotor torque	Mean sound pressure level @1m on no load	Start Capacitor	Weight
Type	Output (KW)	Speed (r/min)	Amps (A)	Voltage (V)	EFF. (%)	P.F. CosΦ	LRT/RLT	BDT/RLT	LRA	Noise Lw dB(A)	(μf/v)	Weight (kg)
GMYC711-2	0.18	2800	1.9	220	60	0.72	3.0	1.8	12	70	75/250	9.5
GMYC712-2	0.25	2800	2.4	220	64	0.74	3.0	1.8	15	70	75/250	10
GMYC711-4	0.12	1400	1.9	220	50	0.58	3.0	1.8	9	65	75/250	9.5
GMYC712-4	0.18	1400	2.5	220	53	0.62	2.8	1.8	12	65	75/250	10
GMYC801-2	0.37	2800	3.4	220	65	0.77	2.8	1.8	21	75	100/250	13.5
GMYC802-2	0.55	2800	4.7	220	68	0.79	2.8	1.8	29	75	150/250	14.5
GMYC801-4	0.25	1400	3.1	220	58	0.63	2.8	1.8	15	65	100/250	13.5
GMYC802-4	0.37	1400	4.2	220	62	0.64	2.5	1.8	21	70	100/250	14.5
GMYC90L1-2	0.75	2800	6.1	220	70	0.80	2.5	1.8	37	75	200/250	22
GMYC90L2-2	1.1	2800	8.7	220	72	0.80	2.5	1.8	60	78	250/250	21
GMYC90L1-4	0.55	1400	5.5	220	66	0.69	2.5	1.8	29	70	150/250	22
GMYC90L2-4	0.75	1400	6.9	220	68	0.73	2.5	1.8	37	70	150/250	21
GMYC100L1-2	1.5	2800	11.4	220	74	0.81	2.5	1.8	80	83	250/250	31
GMYC100L2-2	2.2	2800	16.5	220	75	0.81	2.2	1.8	120	83	300/250	33
GMYC100L1-4	1.1	1400	9.5	220	71	0.74	2.5	1.8	60	73	200/250	31
GMYC100L2-4	1.5	1400	12.5	220	73	0.75	2.5	1.8	80	78	300/250	32
GMYC112M-2	3	2800	21.9	220	76	0.82	2.2	1.8	150	87	300/250	46
GMYC112M-4	2.2	1400	17.8	220	74	0.76	2.2	1.8	120	78	300/250	40

GMYY

SINGLE-PHASE ASYNCHRONOUS MOTOR

GMYY SINGLE-PHASE ASYNCHRONOUS MOTOR

GMYY series run capacitor asynchronous motor, is produced according IEC standard, with many feature as simply structure, steady running , advanced technical indicators and easily maintenance. Fitting for household appliances , air compressor, pump, blower ,recorder instrument etc.

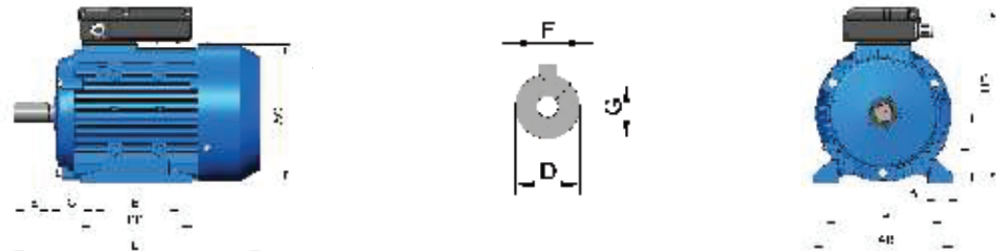
GMYY series motor is TEFC (totally enclosed fan cooling), IP 55, INS . CL.F. Terminal box at top.



TECHNICAL DATA OF GMYY SERIES

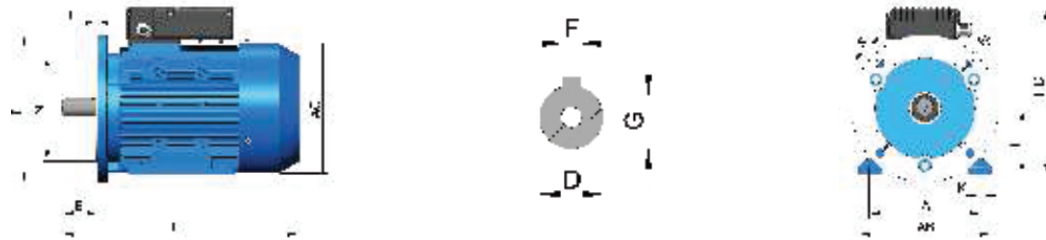
Frame reference and size	Rated power	Full load current at rated voltage	Exciter Voltage	Frequency at constant power	Full load speed in revolutions per minute	Efficiency	Power factor	Direct on line starting torque ratio	Direct on line pull out torque ratio	Locked rotor torque	Mean sound pressure level @1m on no load
Type	Output (kW)	Amps (A)	Voltage (V)	Frequency	Speed (r/min)	EFF. (%)	P.F. Cos Φ	LRT/RLT	BDT/RLT	LRA	Noise LdB(A)
GMYY631-2	0.18	1.37	220	50	2790	65	0.92	0.4	1.7	5.0	70
GMYY632-2	0.25	1.87	220	50	2790	66	0.92	0.4	1.7	7.0	70
GMYY631-4	0.12	1.06	220	50	1390	57	0.90	0.4	1.7	3.5	65
GMYY632-4	0.18	1.54	220	50	1390	59	0.90	0.35	1.7	5.0	65
GMYY711-2	0.37	2.73	220	50	2800	67	0.92	0.35	1.7	10	75
GMYY722-2	0.55	3.88	220	50	2800	70	0.92	0.35	1.7	15	75
GMYY711-4	0.25	2.02	220	50	1400	61	0.92	0.35	1.7	7	65
GMYY712-4	0.37	2.95	220	50	1400	62	0.92	0.35	1.7	10	70
GMYY801-2	0.75	5.15	220	50	2800	72	0.92	0.33	1.7	20	75
GMYY802-2	1.1	7.02	220	50	2800	75	0.95	0.33	1.7	30	78
GMYY801-4	0.55	4.25	220	50	1400	64	0.92	0.35	1.7	15	70
GMYY802-4	0.75	5.45	220	50	1400	68	0.92	0.32	1.7	20	70
GMYY90L1-2	1.5	9.44	220	50	2800	76	0.95	0.30	1.7	45	83
GMYY90L2-2	2.2	13.67	220	50	2800	77	0.95	0.30	1.7	65	83
GMYY90L1-4	1.1	7.41	220	50	1400	71	0.95	0.32	1.7	30	73
GMYY90L2-4	1.5	9.83	220	50	1400	73	0.95	0.30	1.7	45	78

MOUNTING DATA FOR GM



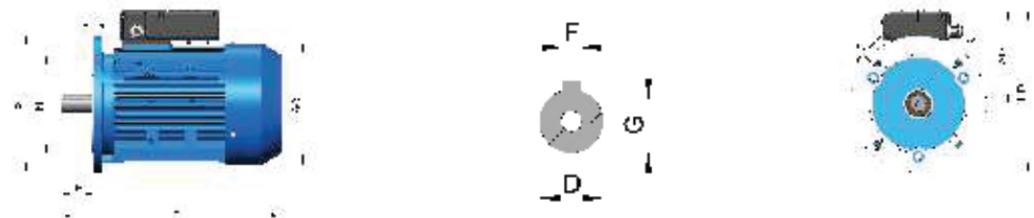
Frame with feet and end-shield with flange (IM B3)

TYPE	POLES	A	B	C	D	E	F	G	H	K	AB	BB	HD	AC	L
63	2.4	100	80	40	11	23	4	8.5	63	7	135	100	182	120	217
71	2.4	112	90	45	14	30	5	11	71	7	150	112	202	136	250
80	2.4	125	100	50	19	40	6	15.5	80	10	153	125	227	160	310
90L1	2.4	140	125	56	24	50	8	20	90	10	172	156	246	175	340
90L2	2.4	140	125	56	24	50	8	20	90	10	172	156	246	175	340
100L	2.4	160	140	63	28	60	8	24	100	12	200	172	250	196	425
112M	2.4	190	140	70	28	60	8	24	112	12	230	181	285	220	450
132S	2.4	216	140	89	38	80	10	33	132	12	260	186	330	259	485
132M	2.4	216	178	89	38	80	10	33	132	12	260	224	330	259	525



Frame with feet and end-shield with flange (IM B35)

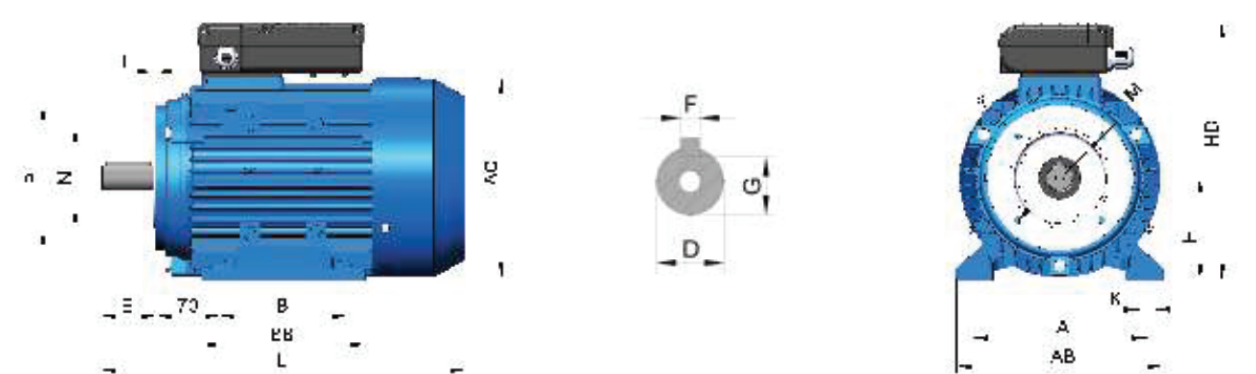
TYPE	POLES	A	B	C	D	E	F	G	H	K	P	N	M	S	T	AB	BB	AC	HD	L
63	2.4	100	80	40	11	23	4	8.5	63	7	140	95	115	10	3	135	100	120	182	217
71	2.4	112	90	45	14	30	5	11	71	7	160	110	130	12	3.5	150	112	136	202	250
80	2.4	125	100	50	19	40	6	15.5	80	10	200	130	165	12	3.5	153	125	160	227	310
90L1	2.4	140	125	56	24	50	8	20	90	10	200	130	165	12	3.5	172	156	175	246	340
90L2	2.4	140	125	56	24	50	8	20	90	10	200	130	165	12	3.5	172	156	175	246	340
100L	2.4	160	140	63	28	60	8	24	100	12	250	180	215	15	4	200	172	196	250	425
112M	2.4	190	140	70	28	60	8	24	112	12	250	180	215	15	4	230	181	220	285	450
132S	2.4	216	140	89	38	80	10	33	132	12	300	230	265	15	4	260	186	259	330	485
132M	2.4	216	178	89	38	80	10	33	132	12	300	230	265	15	4	260	224	259	330	525



Frame with feet and end-shield with flange (IM B5)

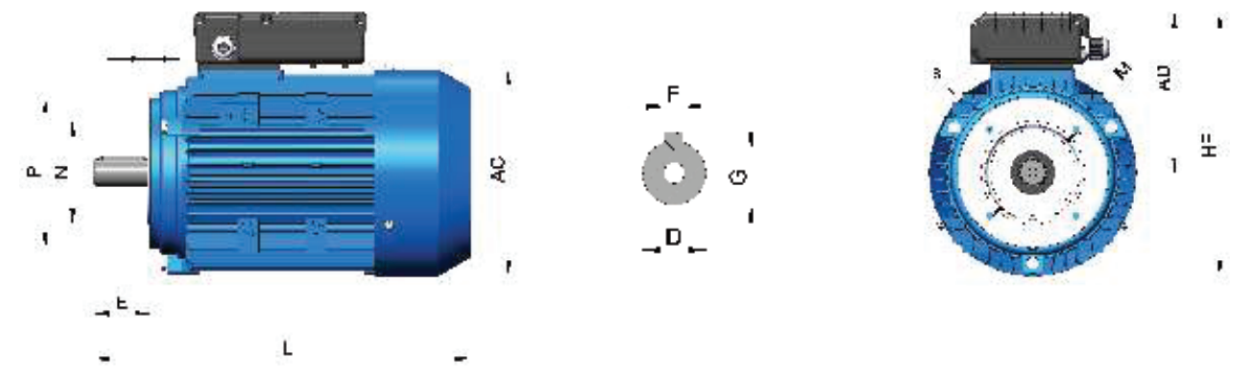
TYPE	POLES	D	E	F	G	P	N	M	S	T	AD	HF	AC	L
63	2.4	11	23	4	8.5	140	95	115	10	3	119	189	120	217
71	2.4	14	30	5	11	160	110	130	12	3.5	131	211	136	250
80	2.4	19	40	6	15.5	200	130	165	12	3.5	147	247	160	310
90L1	2.4	24	50	8	20	200	130	165	12	3.5	156	256	175	340
90L2	2.4	24	50	8	20	200	130	165	12	3.5	156	256	175	340
100L	2.4	28	60	8	24	250	180	215	15	4	150	275	196	425
112M	2.4	28	60	8	24	250	180	215	15	4	173	298	220	450
132S	2.4	38	80	10	33	300	230	265	15	4	198	348	259	485
132M	2.4	38	80	10	33	300	230	265	15	4	198	348	259	525

MOUNTING DATA FOR GM



Frame with feet and end-shield with flange (IM B34)

TYPE	POLES	A	B	C	D	E	F	G	H	K	P	N	M	S	T	AB	BB	AC	HD	L
63	2.4	100	80	40	11	23	4	8.5	63	7	140	95	115	M5	2.5	135	100	120	182	217
71	2.4	112	90	45	14	30	5	11	71	7	105	70	85	M6	2.5	150	112	136	202	250
80	2.4	125	100	50	19	40	6	15.5	80	10	120	80	100	M6	3.0	153	125	160	227	310
90L1	2.4	140	125	56	24	50	8	20	90	10	140	95	115	M8	3.0	172	156	175	246	340
90L2	2.4	140	125	56	24	50	8	20	90	10	140	95	115	M8	3.0	172	156	175	246	340
100L	2.4	160	140	63	28	60	8	24	100	12	160	110	130	M8	3.5	200	172	196	250	425
112M	2.4	190	140	70	28	60	8	24	112	12	160	110	130	M8	3.5	230	181	220	285	450
132S	2.4	216	140	89	38	80	10	33	132	12	200	130	165	M10	3.5	260	186	259	330	485
132M	2.4	216	178	89	38	80	10	33	132	12	200	130	165	M10	3.5	260	224	259	330	525



Frame with feet and end-shield with flange (IM B14)

TYPE	POLES	D	E	F	G	P	N	M	S	T	AD	HF	AC	L
63	2.4	11	23	4	8.5	140	95	115	M5	2.5	119	180	120	217
71	2.4	14	30	5	11	105	70	85	M6	2.5	131	198.5	136	250
80	2.4	19	40	6	15.5	120	80	100	M6	3.0	147	227	160	310
90L1	2.4	24	50	8	20	140	95	115	M8	3.0	156	243.5	175	340
90L2	2.4	24	50	8	20	140	95	115	M8	3.0	156	243.5	175	340
100L	2.4	28	60	8	24	160	110	130	M8	3.5	150	249	196	425
112M	2.4	28	60	8	24	160	110	130	M8	3.5	173	283	220	450
132S	2.4	38	80	10	33	200	130	165	M10	3.5	198	327.5	259	485
132M	2.4	38	80	10	33	200	130	165	M10	3.5	198	327.5	259	525

MYL SINGLE-PHASE ASYNCHRONOUS MOTOR

MYL series capacitor asynchronous motors are single-phase the motors of capacitor start and run. Main features: small size high capacity, strong starting torque, high power factor and efficiency, safety and reliability in running, simple construction and easy maintenance, it possess frame No. and capacity as three-phase asynchronous motors.

The rated frequency of the motors is 50Hz while the rated voltage is 220V.

This series motors are of totally enclosed fan-cooled structure, class B insulation, IP54 degree of protection and IC411 method of cooling. The mounting dimensions of the motors are all in conformity with IEC standards. Mounting types: IM B3

MYL series motors are suitable for machines and equipments such as full load start.



TECHNICAL DATA OF MYL SERIES

Frame reference and size	Rated power	Full load speed in revolutions per minute	Full load current at rated voltage	Exciter Voltage	Efficiency	Power factor	Direct on line starting torque ratio	Direct on line pull out torque ratio	Direct on line starting current ratio	Mean sound pressure level @1m on no load	Start Capacitor	Running Capacitor	Weight
Type	Output (KW)	Speed (r/min)	Amps (A)	Voltage (V)	EFF. (%)	P.F. Cosφ	LRT/RLT	BDT/RLT	LRA/RLA	Noise LwdB(A)	(μf/v)	(μf/v)	Weight (kg)
MYL801-2	0.75	2800	4.9	220	73	0.95	1.8	1.6	5.5	75	100/250	25/450	14
MYL802-2	1.1	2800	7.0	220	75	0.95	1.8	1.6	5.5	75	100/250	30/450	15
MYL801-4	0.55	1400	3.95	220	69	0.92	1.7	1.6	5.0	70	100/250	15/450	13
MYL802-4	0.75	1400	5.05	220	71	0.95	1.7	1.6	5.0	70	100/250	25/450	14
MYL90L1-2	1.5	2800	9.4	220	76	0.95	1.8	1.6	5.5	78	200/250	40/450	22
MYL90L-2	2.2	2800	13.7	220	77	0.95	1.7	1.6	5.5	78	300/250	50/450	24
MYL90L1-4	1.1	1400	7.3	220	72	0.95	1.7	1.6	5.0	73	150/250	30/450	21
MYL90L-4	1.5	1400	9.7	220	74	0.95	1.7	1.6	5.0	73	200/250	40/450	23

MYC SINGLE-PHASE ASYNCHRONOUS MOTOR

Single-phase capacitor-start asynchronous motor. Series MYC, is totally enclosed fan-cooled type. The starting torque of motors is 2-3 times as rated torque. The motors give excellent performance such as low in noise, low in temperature-rise, high in overloading capacity and convenience in maintenance. It may widely application in all types of small machine tools compression pumps refrigerators and the equipment which need bigger starting torque, etc.

They are wonderful utilities for family workshop where only single-phase power are available. This series motors adopts class B insulation, IP54 degree of protection and IC0141 method of cooling. The rated frequency of the motor is 50Hz while the rating voltage is 220V.

The mounting dimensions of the motors are all in conformity with IEC standards. Mounting

Types: IM B3. Working conditions: Altitude above sea level not over 1000m, Altitude temperature not over 40°C.



TECHNICAL DATA OF MYC SERIES

Frame reference and size	Rated power	Full load speed in revolutions per minute	Full load current at rated voltage	Exciter Voltage	Efficiency	Power factor	Direct on line starting torque ratio	Direct on line pull out torque ratio	Locked rotor torque	Mean sound pressure level @1m on no load	Start Capacitor	Weight
Type	Output (KW)	Speed (r/min)	Amps (A)	Voltage (V)	EFF. (%)	P.F. Cosφ	LRT/RLT	BDT/RLT	LRA	Noise LwdB(A)	(μf/v)	Weight (kg)
MYC801-2	0.37	2800	3.4	220	65	0.77	2.8	1.8	21	75	100/250	13.5
MYC802-2	0.55	2800	4.7	220	68	0.79	2.8	1.8	29	75	150/250	14.5
MYC801-4	0.25	1400	3.1	220	58	0.63	2.8	1.8	15	65	100/250	13.5
MYC802-4	0.37	1400	4.2	220	62	0.64	2.5	1.8	21	70	100/250	14.5
MYC90L1-2	0.75	2800	6.1	220	70	0.80	2.5	1.8	37	75	200/250	22
MYC90L2-2	1.1	2800	8.7	220	72	0.80	2.5	1.8	60	78	250/250	21
MYC90L1-4	0.55	1400	5.5	220	66	0.69	2.5	1.8	29	70	150/250	22
MYC90L2-4	0.75	1400	6.9	220	68	0.73	2.5	1.8	37	70	150/250	21

YL SINGLE-PHASE ASYNCHRONOUS MOTOR

YL series capacitor asynchronous motors are single-phase the motors of capacitor start and run. Main features: small size high capacity, strong starting torque, high power factor and efficiency, safety and reliability in running, simple construction and easy maintenance, it possess frame No. and capacity as three-phase asynchronous motors.

The rated frequency of the motors is 50Hz while the rated voltage is 220V.

This series motors are of totally enclosed fan-cooled structure, class B insulation, IP54 degree of protection and IC411 method of cooling. The mounting dimensions of the motors are all in conformity with IEC standards. Mounting types: IM B3 IM B35 IM B34 IM V1 IM V3 IM V5 IM V6 IM V36.

MYL series motors are suitable for machines and equipments such as full load start.



TECHNICAL DATA OF YL SERIES

Frame reference and size	Rated power	Full load speed in revolutions per minute	Full load current at rated voltage	Exciter Voltage	Efficiency	Power factor	Direct on line starting torque ratio	Direct on line pull out torque ratio	Direct on line starting current ratio	Mean sound pressure level @1m on no load	Start Capacitor	Running Capacitor	Weight
Type	Output (KW)	Speed (r/min)	Amps (A)	Voltage (V)	EFF. (%)	P.F. Cosφ	LRT RLT	BDT RLT	LRA RLA	Noise LwdB(A)	(μf/v)	(μf/v)	Weight (kg)
YL801-2	0.75	2800	4.9	220	73	0.95	1.8	1.6	5.5	75	100/250	25/450	14
YL802-2	1.1	2800	7.0	220	75	0.95	1.8	1.6	5.5	75	100/250	30/450	15
YL801-4	0.55	1400	3.95	220	69	0.92	1.7	1.6	5.0	70	100/250	15/450	13
YL802-4	0.75	1400	5.05	220	71	0.95	1.7	1.6	5.0	70	100/250	25/450	14
YL90L1-2	1.5	2800	9.4	220	76	0.95	1.8	1.6	5.5	78	200/250	40/450	22
YL90L-2	2.2	2800	13.7	220	77	0.95	1.7	1.6	5.5	78	300/250	50/450	24
YL90L1-4	1.1	1400	7.3	220	72	0.95	1.7	1.6	5.0	73	150/250	30/450	21
YL90L-4	1.5	1400	9.7	220	74	0.95	1.7	1.6	5.0	73	200/250	40/450	23

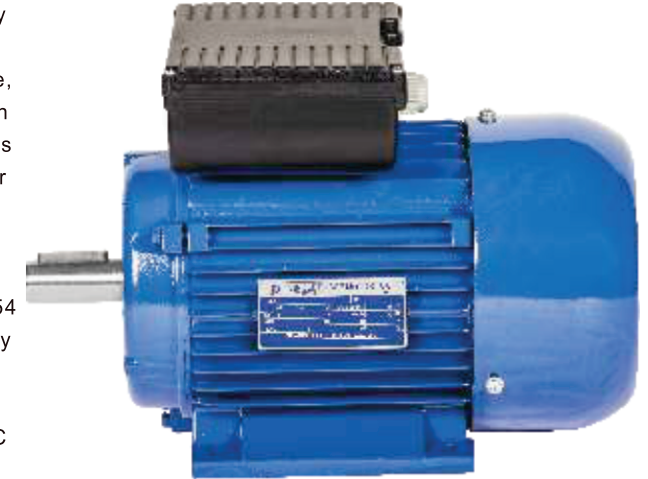
YC SINGLE-PHASE ASYNCHRONOUS MOTOR

Single-phase capacitor-start asynchronous motor. Series YC, is totally enclosed fan-cooled type. The starting torque of motors is 2-3 times as rated torque. The motors give excellent performance such as low in noise, low in temperature-rise, high in overloading capacity and convenience in maintenance. It may widely application in all types of small machine tools compression pumps refrigerators and the equipment which need bigger starting torque, etc.

They are wonderful utilities for family workshop where only single-phase power are available. This series motors adopts class B insulation, IP54 degree of protection and IC0141 method of cooling. The rated frequency of the motor is 50Hz while the rating voltage is 220V.

The mounting dimensions of the motors are all in conformity with IEC standards. Mounting

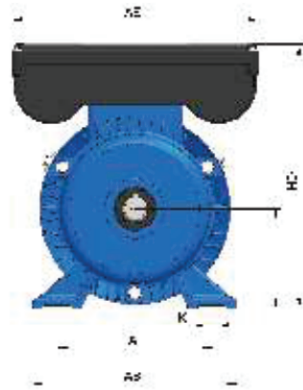
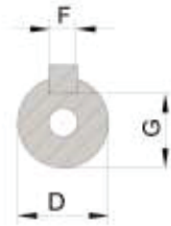
Types: IM B3 IM B35 IM B34 IM V1 IM V3 IM V5 IM V6 IM V36. Working conditions: Altitude above sea level not over 1000m, Altitude temperature not over 40°C.



TECHNICAL DATA OF YC SERIES

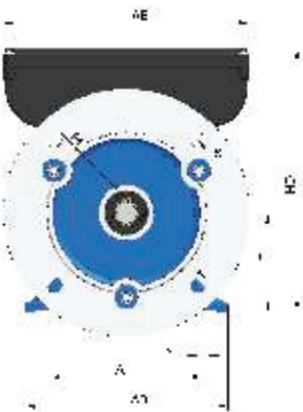
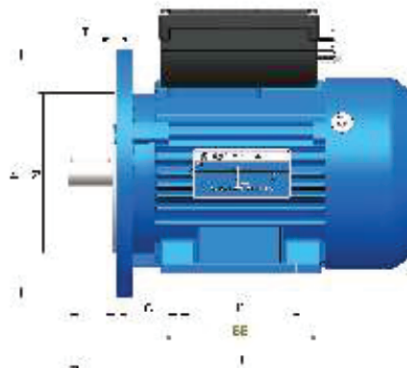
Frame reference and size	Rated power	Full load speed in revolutions per minute	Full load current at rated voltage	Exciter Voltage	Efficiency	Power factor	Direct on line starting torque ratio	Direct on line pull out torque ratio	Locked rotor torque	Mean sound pressure level @1m on no load	Start Capacitor	Weight
Type	Output (KW)	Speed (r/min)	Amps (A)	Voltage (V)	EFF. (%)	P.F. Cosφ	LRT RLT	BDT RLT	LRA	Noise LwdB(A)	(μf/v)	Weight (kg)
YC801-2	0.37	2800	3.4	220	65	0.77	2.8	1.8	21	75	100/250	13.5
YC802-2	0.55	2800	4.7	220	68	0.79	2.8	1.8	29	75	150/250	14.5
YC801-4	0.25	1400	3.1	220	58	0.63	2.8	1.8	15	65	100/250	13.5
YC802-4	0.37	1400	4.2	220	62	0.64	2.5	1.8	21	70	100/250	14.5
YC90L1-2	0.75	2800	6.1	220	70	0.80	2.5	1.8	37	75	200/250	22
YC90L2-2	1.1	2800	8.7	220	72	0.80	2.5	1.8	60	78	250/250	21
YC90L1-4	0.55	1400	5.5	220	66	0.69	2.5	1.8	29	70	150/250	22
YC90L2-4	0.75	1400	6.9	220	68	0.73	2.5	1.8	37	70	150/250	21

MOUNTING DATA FOR YL,YC



Frame with feet and end-shield with flange (IM B3)

FRAME SIZE	POLES	A	B	C	D	E	F	G	H	K	AB	HD	AE	AC	L
80	2, 4	125	100	50	19	40	6	15.5	80	10	165	215	200	160	295
90L1	2, 4	140	125	56	24	50	8	20	90	10	180	230	200	175	315
90L2	2, 4	140	125	56	24	50	8	20	90	10	180	230	200	175	340



Frame with feet and end-shield with flange (IM B35)

FRAME SIZE	POLES	A	B	C	D	E	F	G	H	K	P	N	M	S	T	AB	AE	AC	HD	L
80	2, 4	125	100	50	19	40	6	15.5	80	10	200	130	165	12	3.5	165	200	160	215	295
90L1	2, 4	140	125	56	24	50	8	20	90	10	200	130	165	12	3.5	180	200	175	230	315
90L2	2, 4	140	125	56	24	50	8	20	90	10	200	130	165	12	3.5	180	200	175	230	340

YY SINGLE-PHASE ASYNCHRONOUS MOTOR

YY series run capacitor asynchronous motor, is produced according IEC standard, with many feature as simply structure, steady running, advanced technical indicators and easily maintenance. Fitting for household appliances, air compressor, pump, blower, recorder instrument etc.

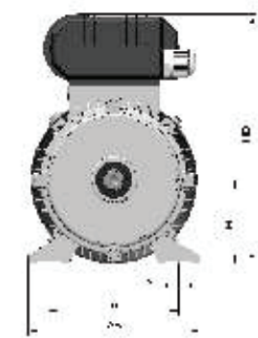
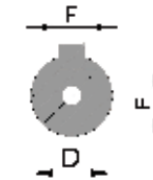
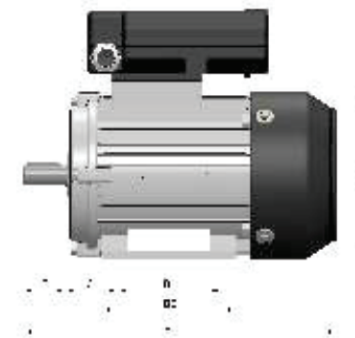
YY series motor is TEFC (totally enclosed fan cooling), IP 55, INS. CL.F. Terminal box at top.



TECHNICAL DATA OF YY SERIES

Frame reference and size	Rated power	Full load current at rated voltage	Exciter Voltage	Frequency at constant power	Full load speed in revolutions per minute	Efficiency	Power factor	Direct on line starting torque ratio	Direct on line pull out torque ratio	Locked rotor torque	Mean sound pressure level @1m on no load
Type	Output (kW)	Amps (A)	Voltage (V)	Frequency	Speed (r/min)	EFF. (%)	P.F. Cosφ	LRT / RLT	BDT / RLT	LRA	Noise LodB(A)
YY801-2	0.75	5.15	220	50	2800	72	0.92	0.33	1.7	20	75
YY802-2	1.1	7.02	220	50	2800	75	0.95	0.33	1.7	30	78
YY801-4	0.55	4.25	220	50	1400	64	0.92	0.35	1.7	15	70
YY802-4	0.75	5.45	220	50	1400	68	0.92	0.32	1.7	20	70
YY90L1-2	1.5	9.44	220	50	2800	76	0.95	0.30	1.7	45	83
YY90L2-2	2.2	13.67	220	50	2800	77	0.95	0.30	1.7	65	83
YY90L1-4	1.1	7.41	220	50	1400	71	0.95	0.32	1.7	30	73
YY90L2-4	1.5	9.83	220	50	1400	73	0.95	0.30	1.7	45	78

MOUNTING DATA FOR YY



Frame with feet and end-shield with flange (IM B3)

FRAME SIZE	POLES	A	B	C	D	E	F	G	H	K	AB	HD	AC	L
80	2, 4	125	100	50	19	40	6	15.5	80	10	160	200	165	295
90L1	2, 4	140	125	56	24	50	8	20	90	10	180	240	185	310
90L2	2, 4	140	125	56	24	50	8	20	90	10	180	240	185	335

GXVP

SINGLE-PHASE
ASYNCHRONOUS MOTOR



GXVP SINGLE-PHASE ASYNCHRONOUS MOTOR

Along with the raising level of productivity, and the automation of production equipment, intelligent,digital growing demand, Motors as the main power source, the market demand for power output of adjustable requirements keep increasing.

Following the market demand, our company developed a new digital frequency GXVP series electrical motor , it adopted a reasonable adjustment method, and it designed more perfect in electromagnetism~structure~insulation, so then it can be adjusted with different frequency at the different work conditions, and save the energy in a certain extent.

GXVP digital frequency electrical motor which adopted the standard design-4P, 50Hz, the system of input should be 220V (50Hz) or 230V (60Hz) in single phase, and it can be customized.

MAIN TECHNICAL DATA

Type	Rated Power kW	Frame Size	Input Volt V	Input Current A	Rated Torque N.m	Speed Range	Speed Range Under Constant Torque	Speed Range Under Constant Power	IP DEGREE
GXVP	0.25	71	Single phase 220V/50Hz 230V /60Hz	2.0	1.6	30 □ 3600 r/min	450 □ 1500 r/min	1500 □ 3600 r/min	IP55
	0.37			3.0	2.3				
	0.55	80		4.4	3.5				
	0.75			5.7	4.8				
	1.1	90		8.3	7.0				
	1.5			11.0	9.6				
	2.2	100		16.0	14.0				
	3			21.0	19.1				
4	112	28.0	25.5						

Remarks: If the system is requested to run at lower speed under constant torque, it is more suitable to order the inverter motor with forced vent integrated with controller. The speed can reach 30r/min under constant torque.

MAIN CONTROL DATA

Speed Set Input Means: 5K potentiometer, 0-5VDC; 0-10VDC; 5V PWM (Separate) , RS485 (Separate)

Speed Set Differentiate Rate: 3r/min

Logic Control Input: Start/Stop; Clockwise/Counter-clockwise turn

Output Signal: Working Frequency Output (5V square wave); RS485; "Normal" Signal

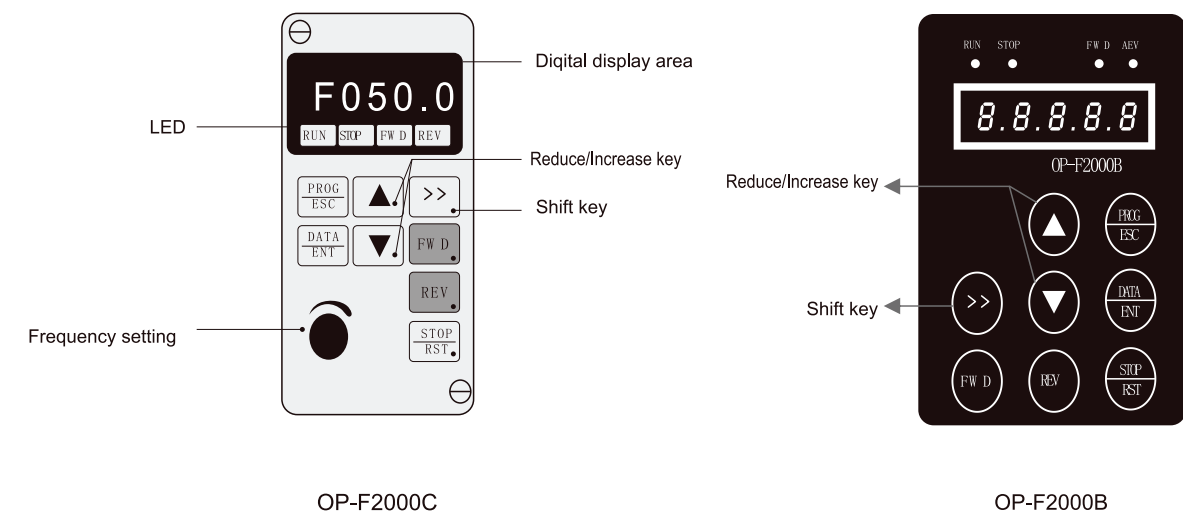
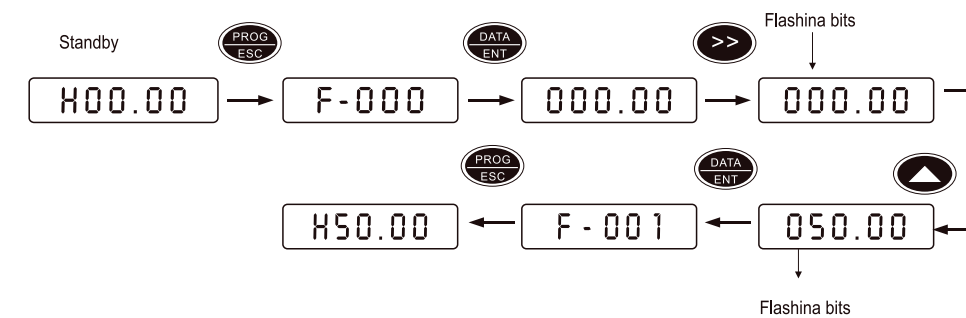
Protection Function: Over-current Protection, Regenerative Over-volt Protection, Motor Over-temperature Protection, Controller Over-temperature Protection

Working Ambient: less than 90%RH (no dew)

Storage Temperature: -20°C ~ +65°C

KEY	NAME	FUNCTION
PROG/ESC	Programming key	The preferences menu inter or exit
DATA/ENT	Enter/Switch key	Display the preferences
▲	Increase key	Date/function code increasing
▼	Reduce key	Date/function code reduce
>>	Shift key	When the parmeter revised, can choose the digit place
FWD	Prograde running key	Under key board operation, take prograde running
REV	Reversal running key	Under key board operation, take prograde running.
STOP/RST	Stop/reset key	When it's running, press this key can stop it; when it's warning, press this key can reset operation blinking number

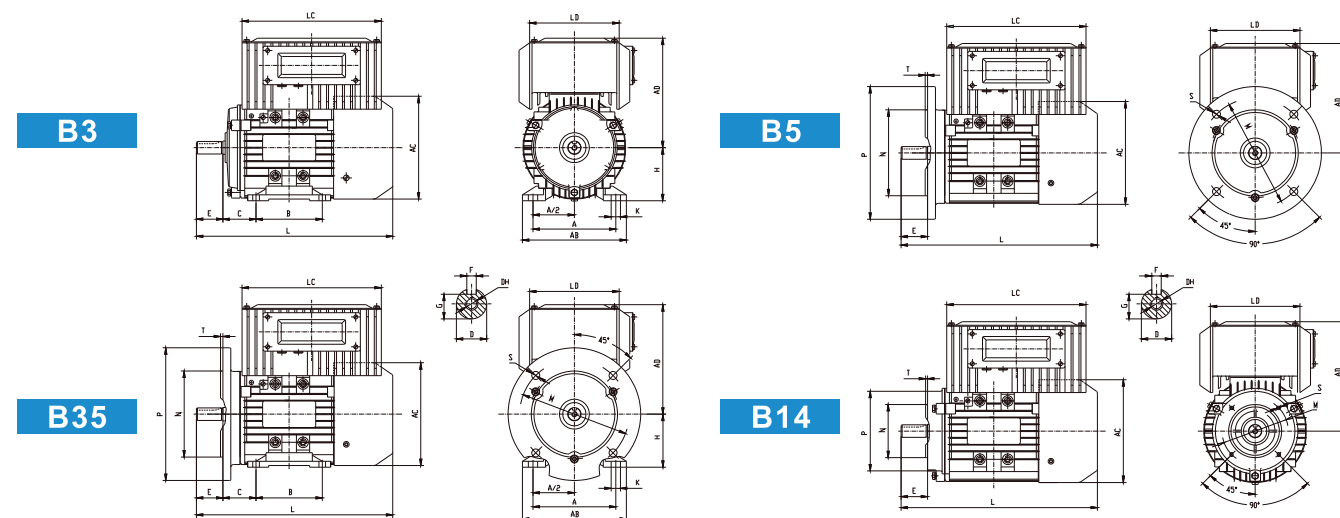
Function code examine, resire explanation



FUNCTION DISPLAY EXPLAIN

Display item	Explanation
P50.00	Show the output frequency is 50.00Hz
H50.00	Show the setting frequency is 50.00Hz
C003.0	Show the output current is 3.0A
0 1440	Show the output speed is 1440r/min
0510.1	Show the direct current voltage is 510.1V
U380.0	Show the output voltage is 380.0V
E035.0	Show the frequency converter's temperature is 35.0°C
00 105	Show the attribute is 105
R050.0	Show the PID goal value is 50.0%
8048.0	Show the PID feedback is 48.0%
000 12	Show it's running time is 12 hours
00 108	Show the frequency converter has run total 108 hours

MOUNTING AND OVERALL DIMENSIONS



TYPE	H	A	AB	B	C	E	L	AC	F	G	D	K	DH	AD	LD	LC	M	N	P	S	T
71	71	112	150	90	45	30	255	145	5	11	14	7	M5X12	155	120	190	130	110	160	10	3.5
80	80	125	165	100	50	40	295	185	6	15.5	19	10	M6X12	170	135	210	165	130	200	12	3.5
90S	90	140	180	100	56	50	320	215	8	20	24	10	M8X19	175	135	210	165	130	200	12	3.5
90L	90	140	180	125	56	50	345	215	8	20	24	10	M8X19	175	135	210	165	130	200	12	3.5
100	100	160	205	140	63	60	385	225	8	24	28	12	M10X22	190	150	230	215	180	250	15	4
112	112	190	230	140	70	60	400	225	8	24	28	12	M10X22	210	150	230	215	180	250	15	4



شرکت توان چرخش، با سابقه بیش از سی و پنج سال، فعالیت خود را در زمینه تهیه و فروش انواع الکتروموتور در خیابان سعدی با مدیریت طباطبایی آغاز به کار کرد. این شرکت در ابتدا تحت نام توان موتور، نوشاد، و اکنون توان چرخش مشغول به ارائه خدمات به مشتریان می باشد. توان چرخش تنها نماینده برند معتبر گوانگلو چین با مارک FLNDR بوده و سفارشات مشتریان را از این شرکت با بهترین کیفیت و مناسبترین قیمت تهیه می کند. این محصول، رقیب برندهای معتبر اروپایی است و تمامی محصولات FLNDR به مدت یک سال گارانتی بوده و شرکت تمامی توان خود را برای حفظ منافع مشتریان خود به عمل می آورد.